


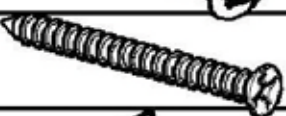




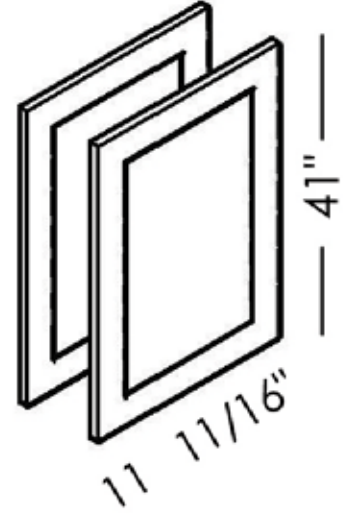
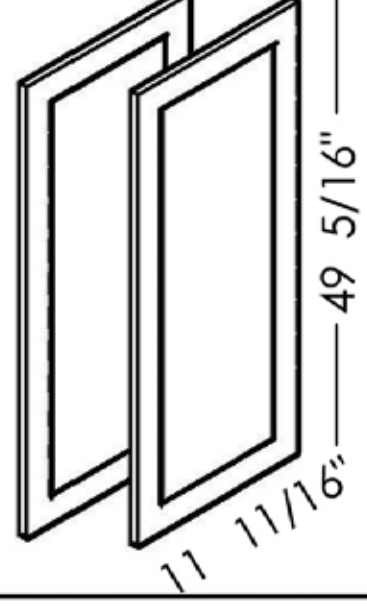



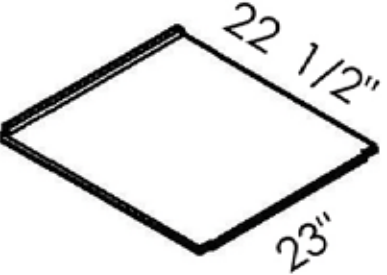
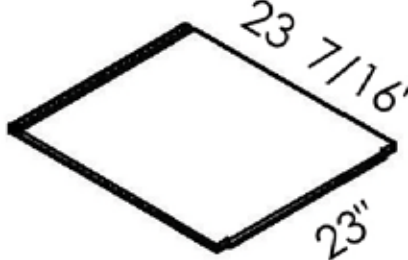
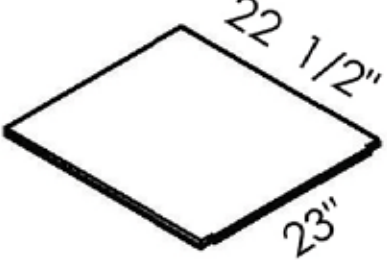
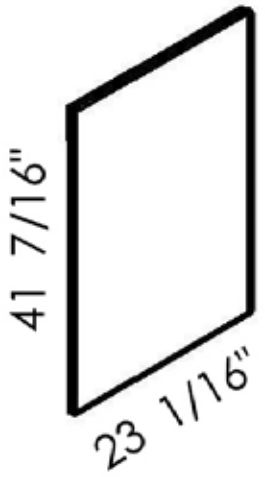

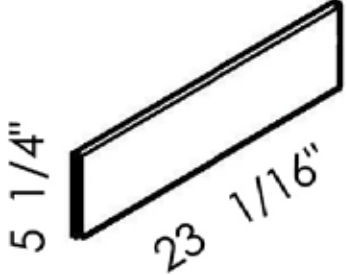
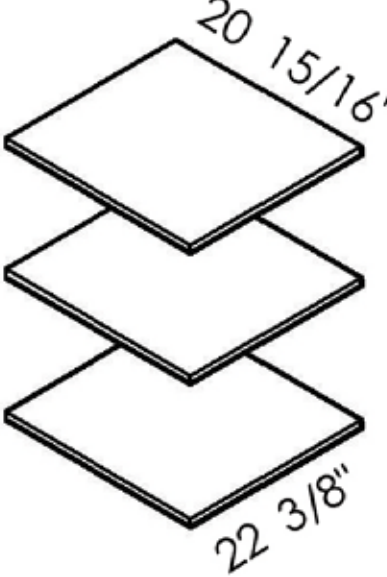
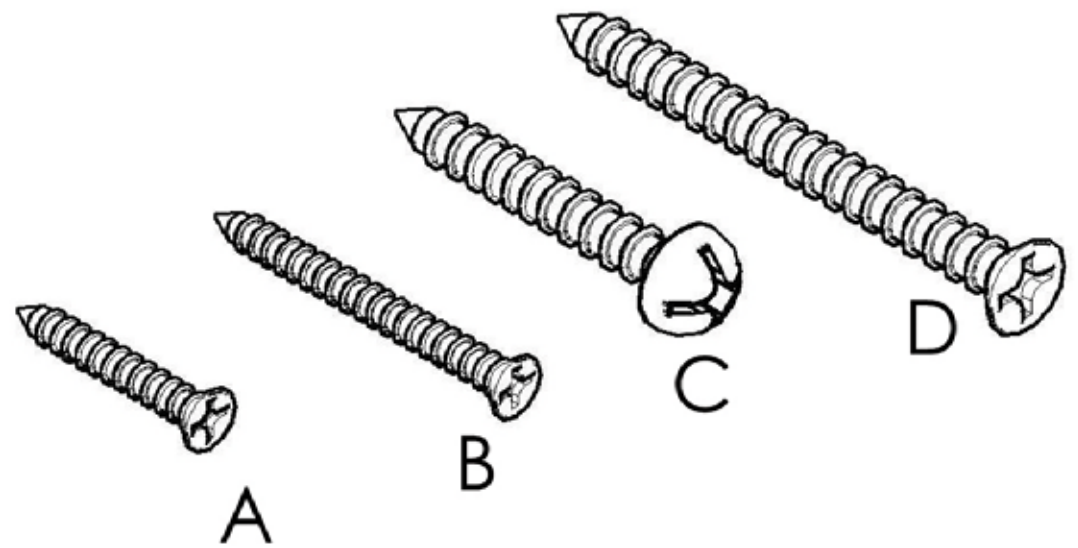


# Part List

U249624









Unit: inch

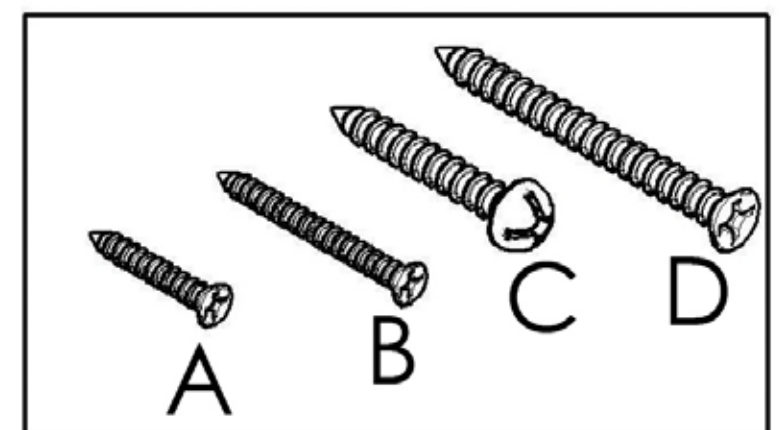
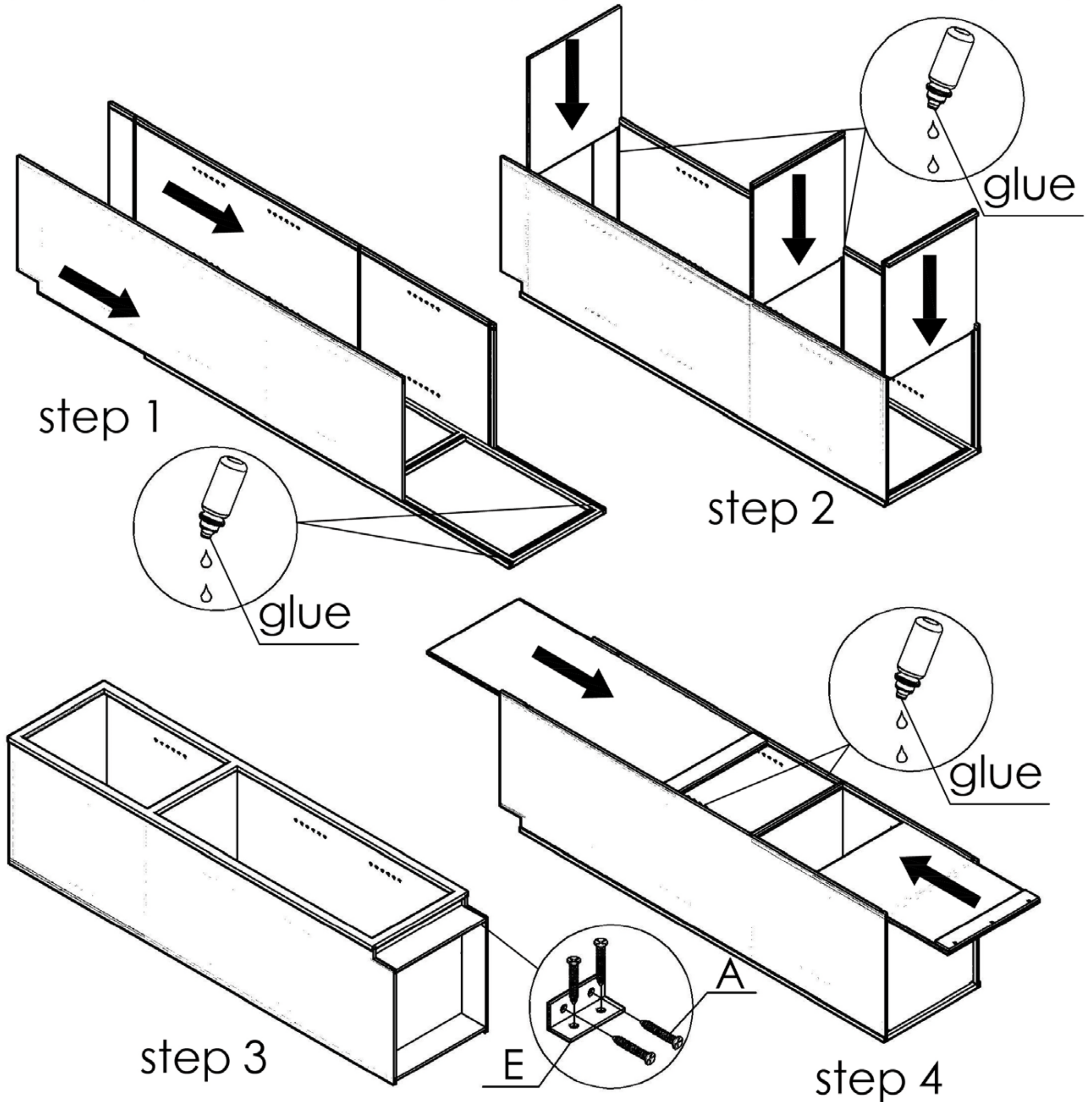
| No | Picture   | Specification                             | Qty |
|----|---|---|-----|
| A  |  | Screw $\text{Ø}3 \times 1/2$ "            | 32  |
| B  |  | Screw $\text{Ø}3 \times 5/8$ "            | 20  |
| C  |  | Screw $\text{Ø}4 \times 5/8$ "            | 10  |
| D  |  | Screw $\text{Ø}4 \times 1 \frac{3}{16}$ " | 3   |
| E  |  | Metal Clip                                | 4   |
| F  |  | Hinges                                    | 10  |
| G  |  | Bumper                                    | 8   |
| H  |  | Shelf Clip                                | 12  |
|    |   |   |     |
|    |   |   |     |
|    |   |   |     |

|   |   |  |
|---|---|--|
| 1<br>Top Door<br>            | 2<br>Bottom Door<br>       | 3<br>Face Frame<br>           |
| 4<br>Left Side Panel<br>    | 5<br>Right Side Panel<br> | 6<br>Top Panel<br>            |
| 7<br>Middle Bottom Panel<br> | 8<br>Bottom Panel<br>     | 9<br>Top Back Panel<br>     |
|   |   | 10<br>Bottom Back Panel<br> |
|   |   | 11<br>Front Toe kick<br>    |
| Shelf<br>                    |   |                             |

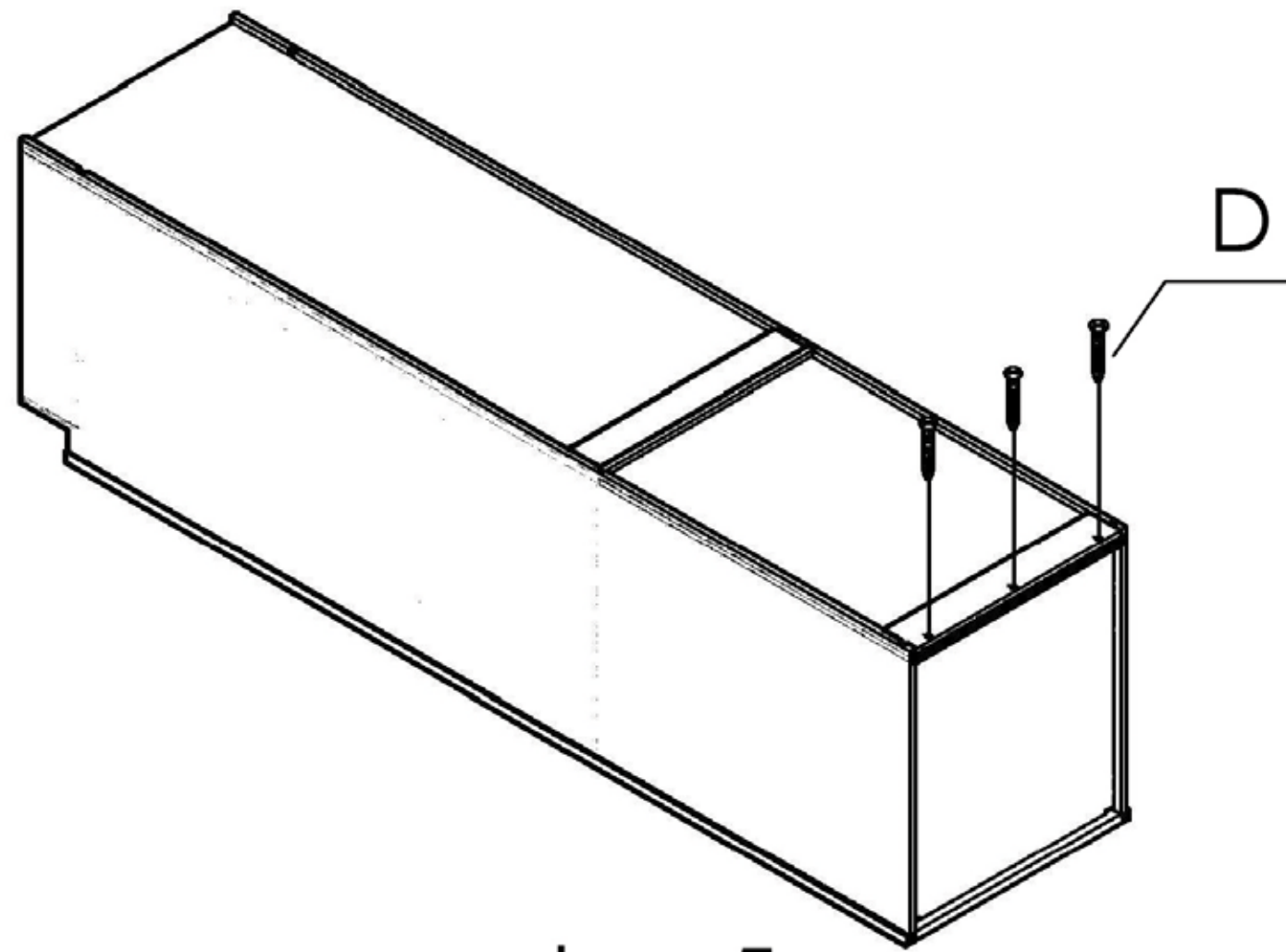


# Assembly instructions

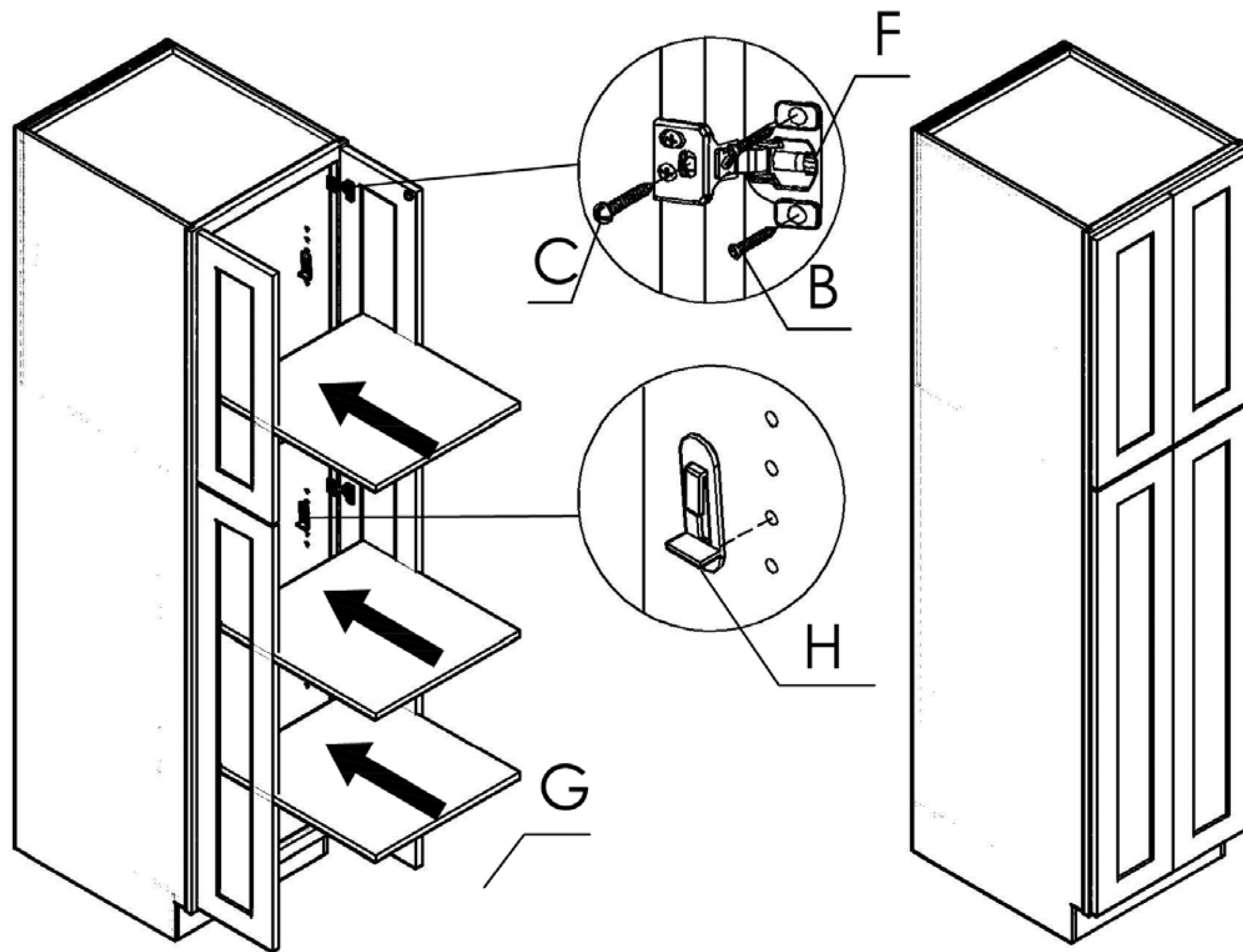
| No | Picture   | Specification                                 | Qty | No | Picture   | Specification | Qty |
|----|---|---|-----|----|---|---------------|-----|
| A  |  | Screw $\varnothing 3 \times 1/2$ "            | 32  | E  |  | Metal Clip    | 4   |
| B  |  | Screw $\varnothing 3 \times 5/8$ "            | 20  | F  |  | Hinges        | 10  |
| C  |  | Screw $\varnothing 4 \times 5/8$ "            | 10  | G  |  | Bumper        | 8   |
| D  |  | Screw $\varnothing 4 \times 1 \frac{3}{16}$ " | 3   | H  |  | Shelf Clip    | 12  |
|    |   |   |     |    |   |               |     |
|    |   |   |     |    |   |               |     |







step 5



step 6

