
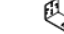





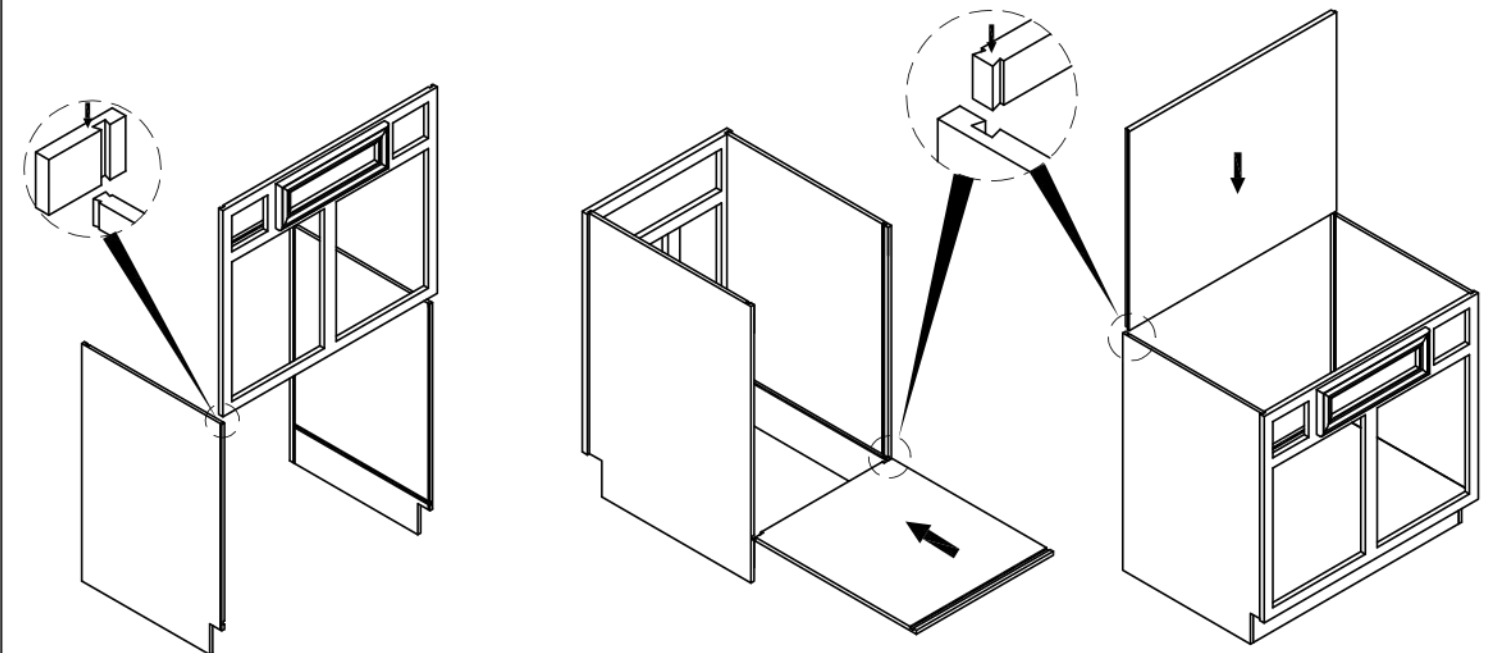


# VB4221

## Assembly instructions

NO.	Picture	Specification	Qty
A		φ4*1"	8
B			4
C			4
D			4

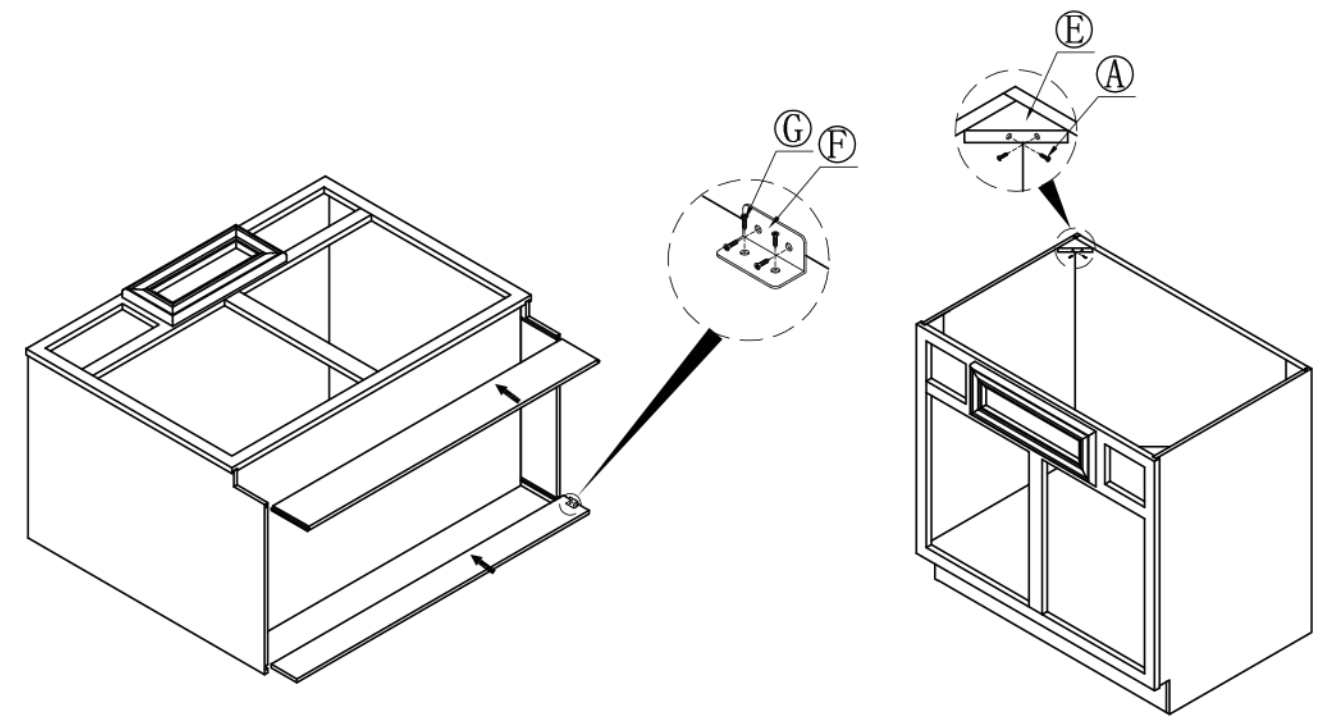
E			4
F			4
G		φ3*1/2"	36



step 1

step 2

step 3



step 4

step 5

# VB4221

